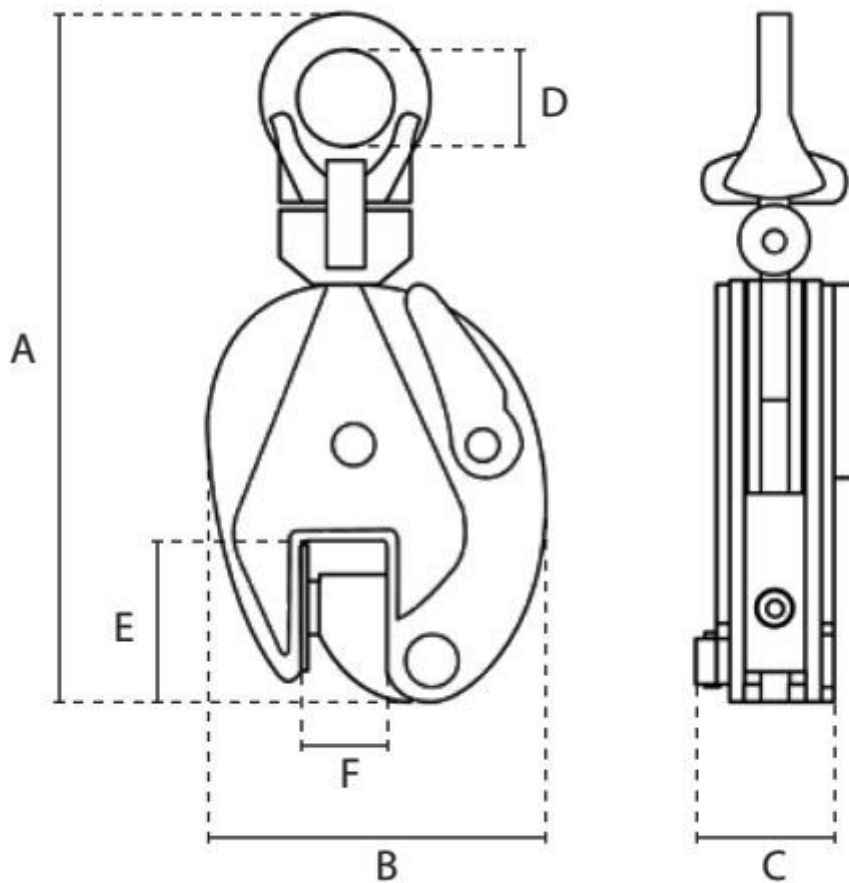
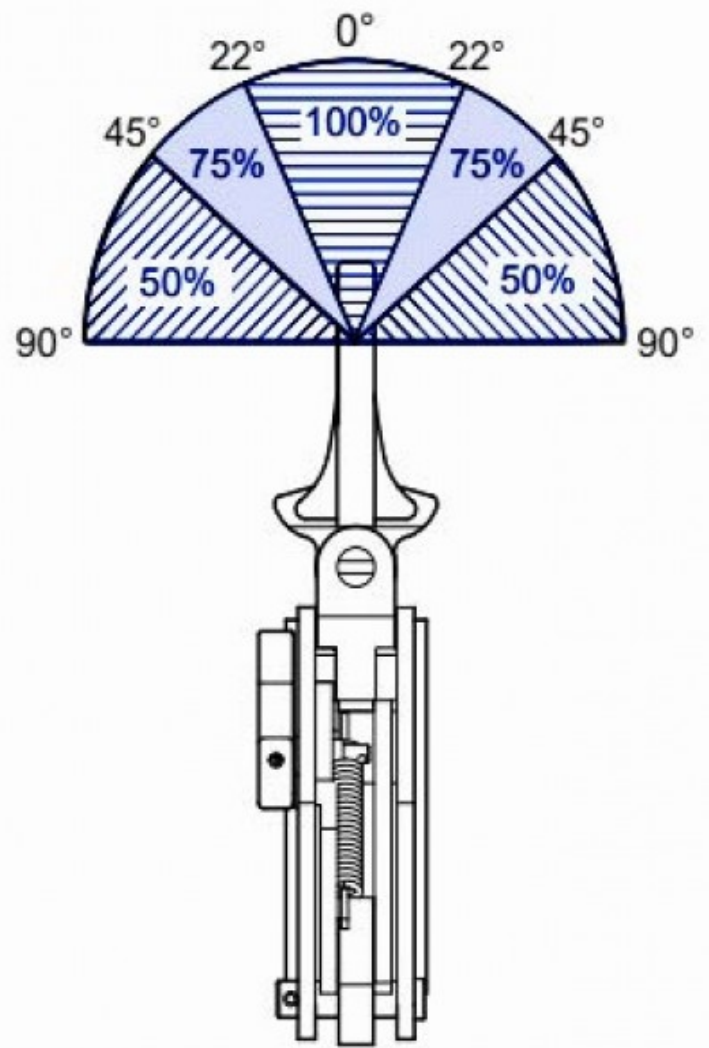
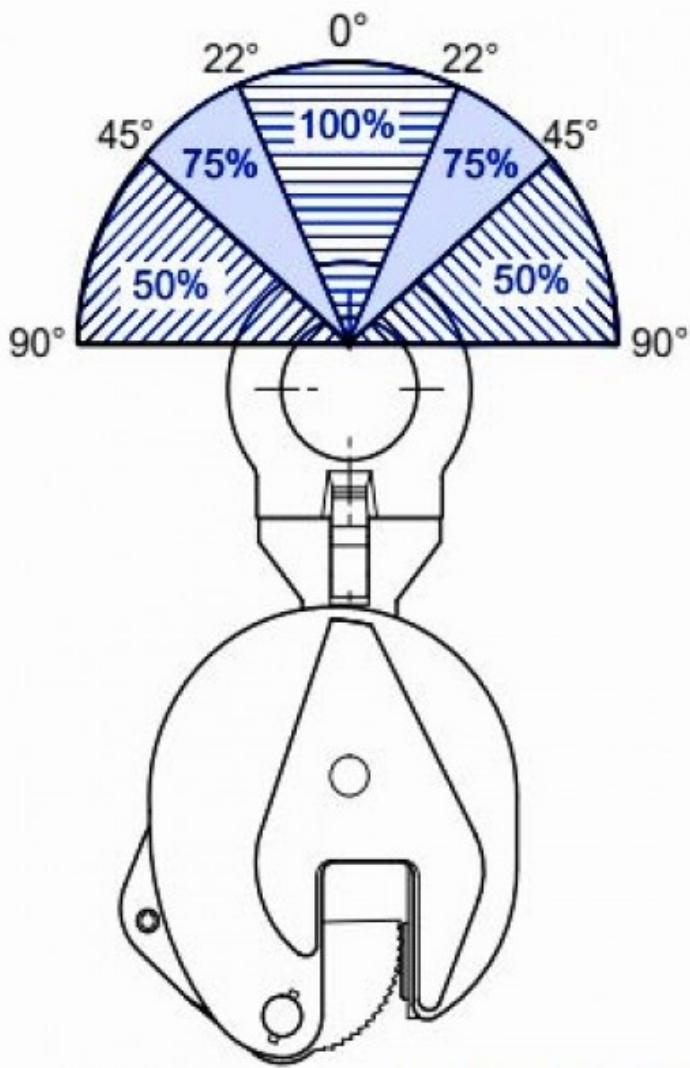


Model	Capacity Min-Max(kg)	Jaw Range (mm)	Net Weight (kg)
DC0500	50 – 500	0-15	2
DC1000	100 – 1000	0-20	4.8
DC2000	200 – 2000	0-25	6.5
DC3000	300 – 3000	0-30	15
DC5000	500 – 5000	0-50	23

Capacity	A (mm)	B (mm)	C (mm)	D (mm)	E (mm)	F (mm)
500kg	212	103	36	30	43	17
1000kg	294	138	50	48	63	22
2000kg	370	164	52	68	76	27
3000kg	418	193	78	74	85	32
5000kg	450	240	88	80	90	52





**Lifting Capacity Reductions
Per Angle**