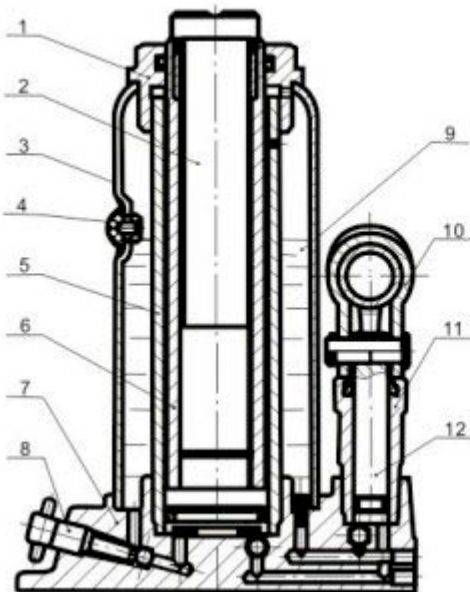
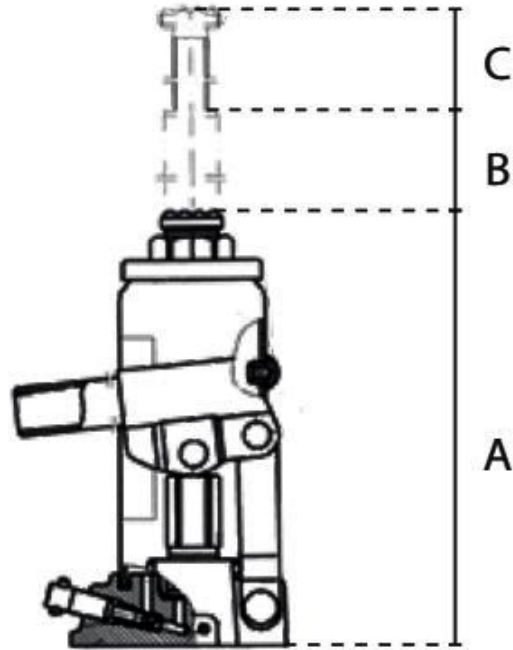


Delta Hydraulic Bottle Jack Specifications

Model	Capacity (tonne)	Net. Weight (kg)	A dimension	B dimension	C dimension
SG.GR.02000	2	2.3	158mm	90mm	50mm
SG.GR.03000	3	3.2	180mm	110mm	50mm
SG.GR.05000	5	4.2	200mm	125mm	60mm
SG.GR.08000	8	5.3	200mm	125mm	60mm
SG.GR.10000	10	5.6	200mm	125mm	60mm



1. Top cap
2. Adjustment screw
3. Oil Tight tank
4. Oil plug
5. Cylinder
6. Piston rod
7. Backing
8. Oil drain valve
9. Hydraulic fluid
10. Presses the hand
11. Pump casing
12. Pump Plunger

