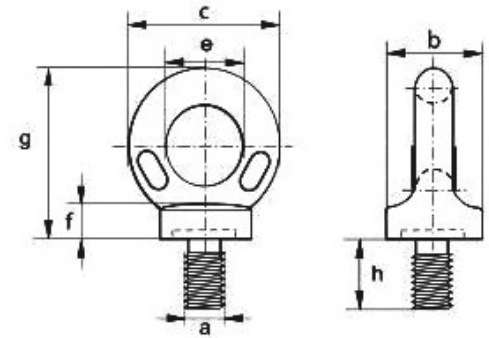


# Collared Eye Bolt Specifications

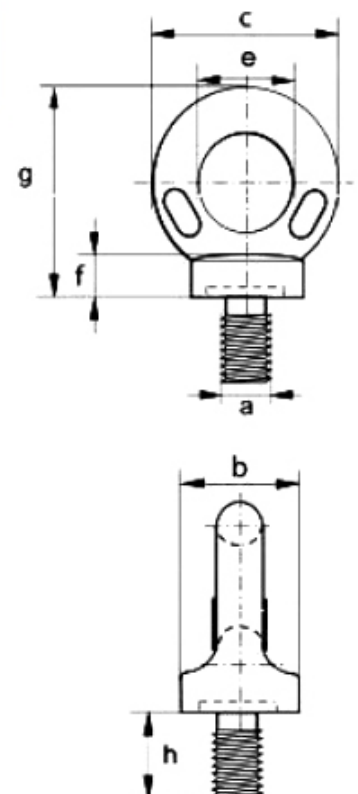
## Metric Thread

Safe Working Load	Diameter Thread	Diameter Base	Diameter Eye Outside	Diameter Eye Inside	Thickness Collar	Height	Thread Length	Weight Each
tonnes	a mm	b mm	c mm	e mm	f mm	g mm	h mm	kg
0.1	6	22	33	15	7	36	18	0.06
0.15*	8	22	33	15	7	36	18	0.06
0.25*	10	22	33	15	7	36	18	0.06
0.40*	12	22	33	15	7	36	18	0.06
0.5	14	29	44	20	10	48	23	0.15
0.80*	16	29	44	20	10	48	23	0.15
1	18	36	52	24	12	58	28	0.27
1.60*	20	40	59	27	14	65	32	0.38
1.6	22	45	64	30	14	73	35	0.54
2.50*	24	52	77	35	17	84	40	0.85
2.5	27	58	85	39	20	94	46	1.13
4.00*	30	65	96	44	22	106	51	1.62
4	33	72	106	48	24	117	56	2.37
6.30*	36	81	118	54	27	131	63	3.12
6.30*	39	86	123	57	29	137	67	3.81
8.00*	42	101	148	68	34	164	79	6.27
8.00*	45	101	148	68	34	164	79	6.45
10.00*	48	101	148	68	34	164	79	6.51
12.5	52	115	168	76	38	186	89	9.58
16	56	128	188	86	43	208	100	12.99
20	64	144	212	96	48	234	112	18.2



## BSW & UNC Thread

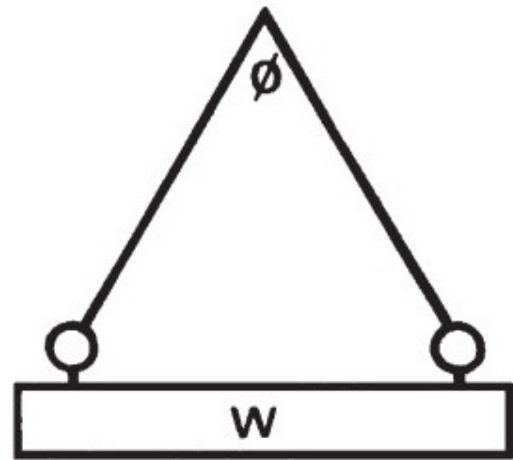
Safe Working Load	Diameter Thread	Diameter Base	Diameter Eye Outside	Diameter Eye Inside	Thickness Collar	Height	Thread Length	Weight Each
tonnes	a inch	b mm	c mm	e mm	f mm	g mm	h mm	kg
0.1	1/4	22	33	15	7	36	18	0.06
0.15*	5/16	22	33	15	7	36	18	0.06
0.25*	3/8	22	33	15	7	36	18	0.06
0.5	1/2	29	44	20	10	48	23	0.15
0.9	5/8	36	52	24	12	58	28	0.27
1.4	3/4	45	66	30	14	73	35	0.54
2	7/8	52	77	35	17	84	40	0.85
2.75	1	58	85	39	20	94	46	1.13
3.5	1.1/8	65	96	44	22	106	51	1.62
4.5	1.1/4	72	106	48	24	117	56	2.37
6.5	1.1/2	81	118	54	27	131	63	3.12
9.00*	1.3/4	101	148	68	34	164	79	6.27
12	2	115	168	76	38	186	89	9.58



# Collared

**MAXIMUM RECOMMENDED WORKING LOADS FOR BRITISH STANDARD EYEBOLTS (IMPERIAL AND METRIC THREADS) WHEN USED IN PAIRS FOR INCLINED LOADING CONDITIONS.**

SAFE WORKING LOAD FOR A SINGLE EYEBOLT IN VERTICAL LIFT	MAXIMUM LOAD 'W' TO BE LIFTED BY A PAIR OF EYEBOLTS WHEN THE ANGLE $\emptyset$ BETWEEN THE LEGS IS		
	$0^\circ < \emptyset > 30^\circ$	$30^\circ < \emptyset > 60^\circ$	$60^\circ < \emptyset > 90^\circ$
TONNES	TONNES	TONNES	TONNES
0.25	0.32	0.20	0.13
0.40	0.50	0.32	0.20
0.50	0.63	0.40	0.25
0.80	1.00	0.64	0.40
0.90	1.13	0.72	0.45
1.00	1.30	0.80	0.50
1.25	1.60	1.00	0.63
1.40	1.76	1.12	0.70
1.60	2.00	1.25	0.80
2.00	2.50	1.60	1.00
2.50	3.20	2.00	1.25
2.75	3.47	2.20	1.38
3.20	4.00	2.50	1.60
3.50	4.41	2.80	1.75
4.00	5.00	3.20	2.00
4.50	5.67	3.60	2.25
5.00	6.30	4.00	2.50
6.30	8.00	5.00	3.20
6.50	8.19	5.20	3.25
8.00	10.00	6.30	4.00
9.00	11.34	7.20	4.50
10.00	12.50	8.00	5.00
12.00	15.12	9.60	6.00
12.50	16.00	10.00	6.30
15.00	18.90	12.00	7.50
16.00	20.00	12.50	8.00
20.00	25.20	16.00	10.00
25.00	32.00	20.00	12.50
30.00	37.80	24.00	15.00



## **FOR TRUNNION LIFTING**

**The load taken by a single eyebolt should not exceed 25% of its marked SWL.**

